



INTERNATIONAL APPLICATION PUBLISHED UNDER THE PATENT COOPERATION TREATY (PCT)

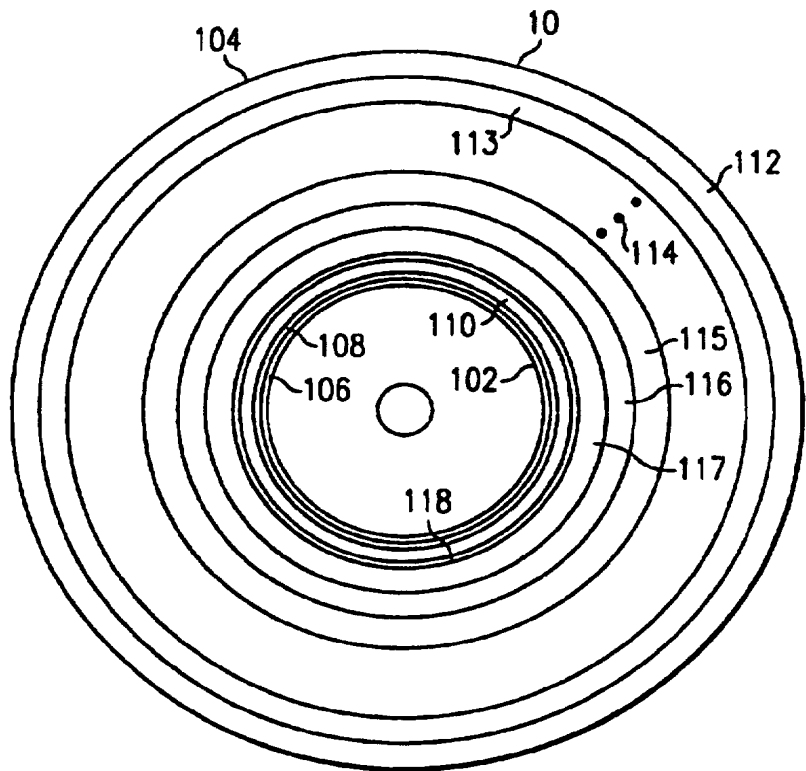
<p>(51) International Patent Classification ⁶ : G11B 7/00, 7/125, 7/007, 7/013, 20/12</p>	<p>A1</p>	<p>(11) International Publication Number: WO 96/30902 (43) International Publication Date: 3 October 1996 (03.10.96)</p>
--	-----------	---

<p>(21) International Application Number: PCT/GB95/02858 (22) International Filing Date: 7 December 1995 (07.12.95) (30) Priority Data: 08/414,825 31 March 1995 (31.03.95) US (71) Applicant: INTERNATIONAL BUSINESS MACHINES CORPORATION [US/US]; Old Orchard Road, Armonk, NY 10504 (US). (71) Applicant (for MC only): IBM UNITED KINGDOM LIMITED [GB/GB]; North Harbour, P.O. Box 41, Portsmouth, Hampshire PO6 3AU (GB). (72) Inventors: KULAKOWSKI, John, Edward; 7541 East Knollwood Place, Tucson, AZ 85715 (US). McDOWELL, Judson, Allen; 793 East Hardy, Tucson, AZ 85715 (US). RUBIN, Kurt, Allan; 2377 Susan Drive, Santa Clara, CA 95050 (US). (74) Agent: LING, Christopher, John; IBM United Kingdom Limited, Intellectual Property Dept., Hursley Park, Winchester, Hampshire SO21 2JN (GB).</p>	<p>(81) Designated States: BR, CN, CZ, HU, KR, PL, RU, SG, European patent (AT, BE, CH, DE, DK, ES, FR, GB, GR, IE, IT, LU, MC, NL, PT, SE). Published With international search report.</p>
---	---

(54) Title: SPARE AND CALIBRATION SECTOR MANAGEMENT FOR OPTICAL WORM MEDIA

(57) Abstract

The present invention provides efficient management of calibration and spare sectors on a banded optical write-once, read-many (WORM) disk. A portion of each band on the disk includes a user data area and a reserved area. Sectors in the reserved area are usable either as spare sectors, replacing defective sectors in the user area, or as calibration sectors, for use when the laser write-power level is calibrated. Sectors preferably are used for sparing from one end of the reserved area while sectors are used for calibration from the opposite end. A common overflow reserved area can also be provided for use if all of the sectors in one or more primary reserved areas associated with any of the bands have been exhausted.



FOR THE PURPOSES OF INFORMATION ONLY

Codes used to identify States party to the PCT on the front pages of pamphlets publishing international applications under the PCT.

AM	Armenia	GB	United Kingdom	MW	Malawi
AT	Austria	GE	Georgia	MX	Mexico
AU	Australia	GN	Guinea	NE	Niger
BB	Barbados	GR	Greece	NL	Netherlands
BE	Belgium	HU	Hungary	NO	Norway
BF	Burkina Faso	IE	Ireland	NZ	New Zealand
BG	Bulgaria	IT	Italy	PL	Poland
BJ	Benin	JP	Japan	PT	Portugal
BR	Brazil	KE	Kenya	RO	Romania
BY	Belarus	KG	Kyrgystan	RU	Russian Federation
CA	Canada	KP	Democratic People's Republic of Korea	SD	Sudan
CF	Central African Republic	KR	Republic of Korea	SE	Sweden
CG	Congo	KZ	Kazakhstan	SG	Singapore
CH	Switzerland	LI	Liechtenstein	SI	Slovenia
CI	Côte d'Ivoire	LK	Sri Lanka	SK	Slovakia
CM	Cameroon	LR	Liberia	SN	Senegal
CN	China	LT	Lithuania	SZ	Swaziland
CS	Czechoslovakia	LU	Luxembourg	TD	Chad
CZ	Czech Republic	LV	Latvia	TG	Togo
DE	Germany	MC	Monaco	TJ	Tajikistan
DK	Denmark	MD	Republic of Moldova	TT	Trinidad and Tobago
EE	Estonia	MG	Madagascar	UA	Ukraine
ES	Spain	ML	Mali	UG	Uganda
FI	Finland	MN	Mongolia	US	United States of America
FR	France	MR	Mauritania	UZ	Uzbekistan
GA	Gabon			VN	Viet Nam

SPARE AND CALIBRATION SECTOR MANAGEMENT FOR OPTICAL WORM
MEDIA

TECHNICAL FIELD OF THE INVENTION

5

The present invention relates to optical storage devices, and in particular, to management of spare and calibration sectors in a write-once optical storage system.

10

BACKGROUND OF THE INVENTION

When information is recorded onto optical media, the laser power should be established at such a level as to provide well formed recording marks, whether the marks are represented by changes in the reflective polarization of a spot on a rewritable magneto-optical (MO) disk, by pits burned into the surface of an ablative write-once disk or by changes in reflectivity between amorphous and crystalline areas of a phase change (PC) disk. However, even if the laser power is fixed when an optical disk drive is manufactured, many factors can cause such a fixing to be less than optimum. For example, two pieces of media from different manufacturers, or even from different batches from the same manufacturer, may have slightly different characteristics and, therefore, react slightly differently to the application of the same laser power level. Other factors which can affect the optimum laser power level include the age of the drive and media, the operating temperature of the drive, the temperature of the media and any temperature differential between the media and the drive, the extent of media contamination, changes in the laser spot size and any focus or tracking sensor offsets.

30

As a result, techniques have been developed for drive self-calibration during use. In one such technique, a calibration pattern (which cannot be confused with user data) is recorded onto one or more sectors at varying laser power levels. The sector is read back and, based upon such parameters as readback signal amplitude, mark edge jitter, mark peak pulse position, mark-space asymmetry and mark length, the optimum laser power level is selected for recording operations. Calibration can be performed each time the drive is powered on, at predetermined intervals or each time a verification operation fails, among others. When a calibration is performed on an MO disk (or other re-writable media), a sector previously used for calibration can be erased and reused. Consequently, only a few such sectors need to be available. In contrast, however, when a calibration is performed on a write-once, read many (WORM) disk, a sector previously used for calibration cannot be reused. Many calibration sectors should be available when the disk is new. The requirement for many calibration sectors may be particularly acute for the

45

recently proposed 130 mm 1.3 GB per side WORM media which uses a pulse width modulation (PWM) recording technique as compared to the currently common 130 mm 325 MB per side WORM media using a peak pulse modulation (PPM) recording technique. The four times increase in recording capacity is primarily due to the increase in recording density, decrease in mark size, and adoption of the PWM recording technique. PWM requires greater precision in mark-space writing because the transitions are used to encode the information. In addition, the PWM uses marks of varying lengths placing an additional demand on quality mark formation. All of these factors increase the need for use of optimum write power to form quality marks with precisely placed edges. In fact, in some operating environments, a drive may have to be calibrated each time a disk is mounted to achieve required data reliability and performance. It can be appreciated that if all of the calibration sectors are used, no further information can be recorded onto the disk because there is no longer the ability to ensure a proper laser write power level.

When a recorded data sector is determined during verification to be defective, the data must be written to another sector. In one disk format configuration for WORM media, one or more regions of the disk are set aside as spare sectors to replace defective "primary" sectors. Again, however, if the spare sectors are exhausted, no further data can be reliably recorded.

DISCLOSURE OF THE INVENTION

In view of the foregoing, it is an object of the present invention to provide one or more areas on WORM media allocated to both calibration and spare sectors.

It is another object to provide an initialization process for WORM media to allocate areas on the media for both spare and calibration sectors.

It is still a further object to provide an optical storage device for recording data onto WORM media with improved calibration and spare sector usage.

Apparatus and method are provided for the efficient management of calibration and spare sectors on a banded optical write-once disk. Each band on the disk includes a user data area and a reserved area. Sectors in the reserved area are usable either as spare sectors, replacing defective sectors in the user area, or as calibration sectors, for use when the laser write-power level is calibrated. In one embodiment, spare and calibration sectors are not pre-assigned to separate and specific

portions of the reserved area. Rather, sectors are used for sparing from one end of the reserved area while sectors are used for calibration from the opposite end. Moreover, to avoid potential tracking difficulties, spare sectors are preferably used beginning at the lowest address in reserved area and calibration sectors are used beginning at the highest address.

The number of sectors allocated to each reserved area is established when the media is initialized. For example, the media manufacturer can initialize the media before distribution giving the user no ability to adjust the allocation. When a disk is sold in an uninitialized state, the user can be given the option of choosing the relative size of the reserved area, or can be given a choice of several sizes, to adapt the media for a particular environment and pattern of usage.

In a further embodiment, a common overflow reserved area is provided for use if all of the sectors in one or more primary reserved areas associated with any of the bands have been exhausted.

Each sector on the WORM disk contains a DMP (defect management pointer) area which is recorded when the sector is used. When a sector in the user data area of a band is recorded, the address of the sector is written in a first word of the DMP and the starting address of the reserved area serving the band is written in a second word; the laser power level used to write the sector is written in a third word. When a sector in the reserved area of a band is used as a replacement for a defective sector, the address of the spare sector is written in the first word of the DMP and the address of the defective sector is written in the second word; the laser power level used to write the spare sector is written in the third word. When a sector in the reserved area is used as a calibration sector, a write-power calibration pattern is written in the first two words and the power level which the calibration process determines to be optimum is written in the third word.

A method is also provided for calibrating the drive during a multi-sector write operation. The first sector is recorded in the user data area of a particular band and then verified. If the verification is successful, the remaining sectors are recorded in the user data area. However, if the verification indicates that the laser write power is incorrectly set, a calibration is performed. Then, at the newly calibrated power level, the first sector is re-recorded as a spare sector in the reserved area and the remaining sectors are recorded in the user data area.

The foregoing and other features and advantages of the invention will be apparent from the following more particular description of preferred embodiments of the invention, as illustrated in the accompanying drawings.

5

BRIEF DESCRIPTION OF THE DRAWINGS

Figure 1 is a block diagram of an optical storage device of the present invention;

10

Figures 2 and 3 are simplified diagrammatic views of portions of a write-once optical disk of the present invention;

Figure 4A is a simplified diagrammatic view of a radial portion of the write-once optical disk; and

15

Figure 4B is an enlarged view of a portion of one band of the write-once optical disk.

DETAILED DESCRIPTION OF THE INVENTION

20

Figure 1 is a block diagram of an optical storage device of drive 2 in which the present invention can be employed. The drive 2 can be a write-once device or can be a multi-function device having the capability of recording either WORM or re-writable media. For purposes of clarity, various components of the drive 2, including those which pertain only to re-writable operations, have been omitted from Figure 1 and will not be discussed.

25

A write-once optical disk 10 is mountable on a spindle 14 for rotation by a spindle motor 16 under the control of a spindle controller 18. Not shown is a loader mechanism by which the disk 10 is loaded into the drive 2 and lowered onto the spindle 14; when disk operations are completed, the loader mechanism reverses the process and ejects the disk from the drive 2. A headarm carriage 20 is movable radially relative to the disk 10 carrying an objective lens 22 for accessing data on any one of a large plurality of addressable tracks on the disk 10. The radial motion of the carriage 20 is controlled by a coarse actuator 24.

30

35

A light beam (represented by the dashed line 26) from a laser 28 is directed to an optical signal processing portion 30, comprising various optical and opto-electrical elements 32, which directs the light 26 through the lens 22 onto the surface of the disk 10. The laser 28 is controlled by a laser controller 34; focusing and tracking are performed

40

by a fine actuator 36 controlled by focus and tracking circuits 38 with input from a relative position focus sensor 40.

5 The drive 2 is interconnected through an input/output interface 42 to a host device 44. Data to be recorded onto the disk 10 is transmitted by the host device 44 through the input/output interface 42 to data channels 46. Data read from the disk 10, after being converted from optical signals into electrical signals, is passed through the data channels 46 and transmitted through the input/output interface 42 to the
10 host device 44. A microprocessor 48, which includes (or is interconnected with) a memory store 50, is interconnected to components of the drive 2 and directs the operation thereof.

15 Figure 2 is a simplified diagrammatic view of the WORM disk 10 formatted in accordance with the present invention. Beginning at the inner diameter (ID) 102 and extending radially toward the outer diameter (OD) 104 is a control area comprising a phase-encoded part (PEP) 106, a standard format part (SFP) 108 and a manufacturer area (MFG) 110. Duplicates (not shown) of the SFP and MFG are located at the OD 104. The
20 disk 10 has a single spiral track extending between the ID 102 and the OD 104 (although the spiral can instead extend in the reverse direction) which is divided into several radial bands 112-117 (or, alternatively, comprises a single band), each band having a plurality of addressable tracks and each track having a plurality of sectors. Ellipsis 114
25 represent a plurality of bands between bands 113 and 115. In one proposed 4X WORM format, the disk 10 has thirty-four bands numbered from the outside (band 0) toward the inside (band 33); tracks and sectors are similarly given addresses from outside to inside. However, this configuration is given by way of example only and not as any limitation of
30 the present invention.

Figure 3 is a simplified diagrammatic view of a portion of one exemplary band 113 having a plurality of sectors, only a small number of which (represented by sectors 130-136, 140 and ellipsis 138) are
35 illustrated. A typical sector, such as sector 140, includes a header area 144 and a user data 142 having a defect management pointer (DMP) 146. The sectors in the band 113 are grouped into a user data area 160 and a reserved area 170. The number of sectors in each band is established when the disk 10 is manufactured and increases from the inner band to the outer
40 band. However, as will be discussed below, in one embodiment the ratio of reserved sectors to user sectors in a band can be determined for each disk by the user when the disk is initialized, thereby establishing starting addresses for each reserved area 170. Alternatively, the ratio can be fixed at the time of disk manufacture and not be user configurable.

The DMP 146 of a sector, such as sector 140, in the user area 160 contains three four-byte words which are recorded during a write-operation. The first word contains the address of the sector 140. The second word contains the starting address of the reserved area 170 and serves as a general pointer to the reserved area 170, although not to a particular sector in the reserved area 170. The third word contains the value of the laser power which was used to write the sector 140.

Sectors in the reserved area 170, such as sector 130, also have a DMP area, although the contents of the DMP will vary depending upon the use of the sector as a spare sector or a calibration sector, as will be explained.

When data is recorded to the sector 140 during a write operation, the three words are recorded to the DMP 146. If the readability of the sector 140 cannot be verified, the data is recorded in an unused sector, such as the sector 132, (hereinafter, the spare sector) in the reserved area 170. The spare sector is located by the laser beam 26 scanning the reserved area 170 for the next available blank sector. Contemporaneously with recording the data, the address of the spare sector 132 is recorded in the first word of the DMP of the spare sector 132 and the address of the defective sector 140 which is being replaced is recorded in the second word. The laser power level is recorded in the third word.

When the laser write-power is to be calibrated as determined by the microprocessor 48 based upon predetermined criteria, such as the number of sectors which cannot be verified, the microprocessor 48 in the drive 2 directs the laser beam 26 to an unused sector, such as the sector 130, (hereinafter, the calibration sector) of the reserved area 170. The calibration sector is located by the laser beam 26 scanning the reserved area 170 for the next available blank sector. A pattern of marks is recorded in the first and second words of the DMP, each mark being recorded with a different laser power setting. In one embodiment, the entire range of write-power levels is used to record the calibration marks. The drive 2 is then placed in a mark quality verification mode, the calibration marks are "read" back and the microprocessor 48 determines which power level produces the best mark quality. The laser power setting used to write the calibration mark is recorded in the third word of the DMP at the same time the calibration marks are recorded. Alternatively, the calibration marks recorded at a selected power level can be verified as to mark quality immediately after they are written and, if the marks satisfy the mark quality criteria, the power level used to record the mark is recorded in the third word of the DMP area of the calibration sector and no additional calibration marks are written. If, however, the mark does not satisfy the mark quality

criteria, additional calibration marks are recorded at a different power level and the mark quality verified. As an alternative to using the entire calibration sector for a single power calibration test, the sector can be divided into "micro-sectors". A single micro-sector can be used
5 for each calibration test and the power level recorded in the DMP area of the micro-sector. It will be appreciated that this alternative method of determining an appropriate or optimum laser power level will generally use less space in the reserved area 170 than the former method and it may be possible to use a single calibration sector for more than one calibration
10 operation.

As previously noted, it is preferable that the laser power be calibrated as infrequently as possible in order to prevent premature exhaustion of calibration sectors. Consequently, a default power level
15 can be programmed into the microprocessor 48. If during a recording operation, a predetermined number of sectors cannot be verified, indicating that the laser power level may be incorrect, the microprocessor can initiate the calibration procedure. In another embodiment for use during a multi-sector write operation, the first sector is recorded and an
20 attempt is made to verify its readability. If the verification is successful, indicating a correct power level, the remaining sectors are recorded at the same level. However, if the verification is unsuccessful, the microprocessor 48 determines that a calibration is to be performed. Then, the first sector is re-written to a spare sector in the reserved
25 area 170 and the remaining sectors are recorded in the user area 160 at the newly calibrated power level. Moreover, when the remaining sectors are verified, the write power level can be readjusted if necessary in preparation for the next write command, thereby further reducing the need to use another calibration sector.

30 The calibration pattern may consist of a 2T mark, a 6T space, a 4T mark and a 6T space repeated many times. Many patterns may be used as long as the written pattern allows for the separation of thermal effects of the written marks. The calibration pattern, if written at excessive
35 write laser power, could produce excessively large marks that could affect the focus and tracking process, thus track following of laser beam 26 would be faulty. In addition, a calibration sector may not contain error correction codes or resync characters and thus can not be differentiated reliability from a sector with a large defect if written with incorrect
40 laser power levels, again arguing for separation. Finally, the use of micro-sectors will result in areas of a calibration sector being unrecorded and appearing as a large media defect, again arguing for separation. Consequently, calibration sectors should not be intermixed with spare sectors in the reserved area 170. An alternative
45 implementation that would permit intermixing of spares and calibration

sectors would make use of tables to identify the sectors in the reserved area used for spares and those used for calibration. Thus the need to read or track reliably over the data area of a calibration sector could be avoided. The disadvantage of this implementation is the consumption of valuable disk space by maintaining such tables on write-once media. Each time a sector is spared or a calibration section is written, the tables must be updated consuming additional space. Although it would be possible for one set of addresses in the reserved area 170 to be specifically allocated to spare sectors and a separate set of addresses specifically allocated to calibration sectors, such a predetermined and invariable allocation of space would not necessarily be suitable in all operating environments. For example, in an environment in which data is written to a disk relatively frequently, or in which disks are mounted/unmounted often, or in which only small amounts of data are recorded in a single operation, operating parameters can change often. In such a situation, re-calibration may be required frequently, exhausting the calibration sectors before consuming all of the data or spare sectors. On the other hand, when the operating environment generally consists of frequent recording of large blocks of data, the parameters may be more stable and fewer calibrations will be needed but possibly more spare sectors. Therefore, the allocation of sectors between spare and calibration sectors should preferably be performed dynamically. In the present invention, rather than allocating a particular portion of the reserved area 170 for sparing and the balance to calibration, it is preferred that spare sectors and calibration sectors be expended from opposite ends of the reserved area 170, as illustrated by the arrows in Fig. 4B. Moreover, because of the tracking problems associated with calibration sectors, it is preferred that the calibration sectors be used from the inner end (higher addresses) 172 of the reserved area 170 towards the outer end (lower addresses) while the spare sectors be used from the outer end 174 toward the inner. Thus, the available space in the reserved area 170 is exhausted only when there are no free sectors remaining in the reserved area 170, regardless of the relative number of sectors used for sparing and calibration.

The present invention provides a further area on the disk 2 for spare and calibration sectors to be used when the reserved area 170 of any band has been filled. A common overflow reserved area 118 is contained in the last band 117 along with the reserved area for the band 117 (Fig. 4A). The last band 117 is a preferred location for the common overflow area 118 because drive performance is typically the lowest in this band and it is desired not to employ a high performance area on the disk 10 for such a use. The common overflow area 118 is used in the same manner as the reserved area 170 but can contain spare and calibration sectors associated with more than one band. While there may not be a pointer in the primary reserved area 170 to the address of the common overflow area 118, the

drive 2 can be programmed to seek to the common overflow area 118 in the event that it finds the primary reserved area 170 full or in the event that it fails to find in the reserved area 170 the spare sector as a replacement for a previously recorded for defective user sector.

5 Alternatively, the drive 2 can be programmed to seek to the next available reserved area (that is, to the reserved area of the next band toward the ID 102) for calibration purposes if the reserved area of a particular band is full and seek to the common overflow area 118 for sparing (because the optimum laser power level may vary from band to band, it is preferable to
10 perform a calibration as close as possible to the desired band).

As previously discussed, the size of each reserved area 170 can be established by the media manufacturer if the manufacturer initializes the media or can be established by the user. If the latter, the user
15 determines approximately how many spare sectors and how many calibration sectors will be needed for the entire disk based upon the particular operating environment and conditions. The sum of the two is then allocated proportionally among the bands based upon the total number of sectors in each band (which can, in some disk formats, vary from band to
20 band). Alternatively, a default number can be provided and the user given the option of doubling or tripling the value when the disk 10 is initialized. The microprocessor 48 then calculates the beginning and ending addresses for each user data area 160 and each reserved area 170 for each band, as well as the beginning and ending addresses for the
25 common overflow area 118, and records this information in the disk structure table (DST) sector on the disk 10. The information in the DST enables the microprocessor to translate logical block addresses received from the host 44 into physical track and sector addresses on the disk 10.

30

CLAIMS

1. A method of calibrating laser write power in an optical drive, comprising the steps of:

5

mounting a write-once optical disk in a drive unit, the disk having a plurality of recording bands, each band having a reserved area comprising calibration sectors and spare sectors, each band further having a user area comprising user data sectors;

10

moving an optical head to a selected band;

determining if the laser write power should be calibrated;

15

if the laser write power should be calibrated, seeking to an unused first calibration sector in the reserved area of the selected band;

establishing an information field in the first calibration sector;

20

writing a write power calibration pattern in the first calibration sector;

reading the write power calibration pattern from the first calibration sector; and

25

determining the write power value to be used for recording data onto user data sectors in the selected band of the optical disk.

30

2. A method as claimed in Claim 1, further comprising the steps of, if there are no unused first calibration sectors in the reserved area of the selected band:

seeking to an unused second calibration sector in a common overflow area of the disk;

35

establishing an information field in the second calibration sector;

writing a write power calibration pattern in the second calibration sector;

40

reading the write power calibration pattern from the second calibration sector; and

45

determining the write power value to be used for recording data onto user data sectors in the selected band of the optical disk.

3. A method as claimed in Claim 1, further comprising the steps of:

recording data onto a selected user data sector in the selected band
at the determined write power value;

5 verifying the data recorded onto the selected user sector;

if said verification step fails, seeking to an unused first spare
data sector in the reserved area of the selected band;

10 establishing an information field in the first spare data sector;

recording the data onto the first spare data sector; and

15 verifying the data recorded onto the first spare data sector.

4. A method as claimed in Claim 3, wherein:

said step of seeking to an unused first calibration sector in the
20 reserved area of the selected band comprises the step of seeking to an
unused sector closest to a first end of the reserved area; and

said step of seeking to an unused first spare data sector in the
reserved area of the selected band comprises the step of seeking to an
25 unused sector closest to a second end of the reserved area.

5. A method as claimed in Claim 3, further comprising the steps of, if
there are no unused first spare data sectors in the reserved area of the
selected band:

30 seeking to an unused second data spare sector in a common overflow
area of the disk;

establishing an information field in the second spare data sector;

35 recording the data onto the second spare data sector; and

verifying the data recorded onto the second spare data sector.

6. A method as claimed in Claim 5, wherein:

said step of seeking to an unused first calibration sector in the
reserved area of the selected band comprises the step of seeking to an
unused sector closest to a first end of the reserved area;

said step of seeking to an unused first spare data sector in the reserved area of the selected band comprises the step of seeking to an unused sector closest to a second end of the reserved area;

said step of seeking to an unused second calibration sector in the common overflow area comprises the step of seeking to an unused sector closest to a first end of the common overflow area; and

said step of seeking to an unused second spare data sector in the common overflow area comprises the step of seeking to an unused sector closest to a second end of the common overflow area.

7. A method as claimed in Claim 1, further comprising the steps of:

recording first data onto a first selected user data sector in the selected band at a first write power value;

verifying the first data recorded onto the first selected user sector;

if said verification step fails, seeking to an unused first calibration sector in the reserved area of the selected band;

performing said establishing, writing, reading and determining steps;

seeking to an unused first spare data sector in the reserved area of the selected band;

establishing an information field in the first spare data sector;
recording the first data onto the first spare data sector;

verifying the first data recorded onto the first spare data sector;

moving the optical head in a radial direction to the selected band;
and

recording the balance of the data to second sectors in the selected band at the determined write power value.

8. A write-once optical disk, comprising:

a spiral track extending between inner and outer radial positions, said spiral track having a plurality of logical tracks grouped into a plurality of data bands;

a predetermined plurality of primary data sectors in each of said data bands; and

a reserved area in each of said data bands, said reserved area having a predetermined plurality of sectors, each of which is usable as either a spare sector or a calibration sector.

9. The write-once optical disk of Claim 8, further comprising a common overflow area having a predetermined plurality of sectors, each of which is usable for either sparing or calibration.

10. The write-once optical disk of Claim 9, wherein:

said common overflow area has a first end and a second end; and

during a recording operation, usage of sectors in said common overflow area for sparing is in a direction from an unused sector closest to said first end toward said second end and usage of sectors in said common overflow area for calibration is in an opposite direction from an unused sector closest to said second end toward said first end.

11. The write-once optical disk of Claim 8, wherein:

each said reserved area has a first end and a second end; and

during a recording operation, usage of sectors in said reserved area for sparing is in a direction from an unused sector closest to said first end toward said second end and usage of sectors in said reserved area for calibration is in an opposite direction from an unused sector closest to said second end toward said first end.

12. The write-once optical disk of Claim 8, wherein sectors in a band include a header area and a user data area.

13. The write-once optical disk of Claim 12, wherein said data area of a primary data sector comprises:

a first portion in which an address of said primary data sector is recordable;

a second portion in which an address of said reserved area of said band is recordable; and

a third portion in which a laser calibration value is recorded.

14. The write-once optical disk of Claim 12, wherein said data area of a spare sector comprises:

a first portion in which an address of said spare sector is recordable;

a second portion in which an address of a defective primary data sector in said band is recordable; and

a third portion in which a laser calibration value is recorded.

15. The write-once optical disk of Claim 12, wherein said data area of a calibration sector comprises:

a first portion in which at least a portion of a calibration pattern is recordable; and

a second portion in which a laser calibration value is recorded.

16. A system for recording data onto an optical WORM disk, the disk having a plurality of data bands, each band having a first plurality of sectors in a user area and a second plurality of sectors in a reserved area, the system having a loader mechanism, a spindle motor on which the optical disk is mountable, an interface for transmitting/receiving data and instructions to/from a host device, a laser light source, an optical head for recording/reading data to/from the optical disk, an actuator for moving said optical head, and a controller for directing operations of said loader mechanism, said spindle motor, said interface, said optical head and said actuator, characterised in that the system further comprises:

a processor for determining when a laser write-power calibration is to be initiated;

means for directing the light beam from said laser onto a first predetermined sector in said reserved area if calibration is to be initiated;

means for writing a calibration pattern in said predetermined sector;

means for reading the calibration pattern and determining an adjusted write-power level;

means for setting the write-power level to the adjusted write-power level;

means for recording first data on a predetermined data sector in said user area;

means for verifying the first data;

means for directing the light beam from said laser onto a second predetermined sector in said reserved area if the verification fails; and

means for re-recording the first data onto said second predetermined sector.

17. A data recording system as claimed in Claim 16, wherein:

said means for directing the light beam onto the first predetermined sector in said reserved area comprises means for directing the light beam onto the first predetermined sector in a first end of said reserved area; and

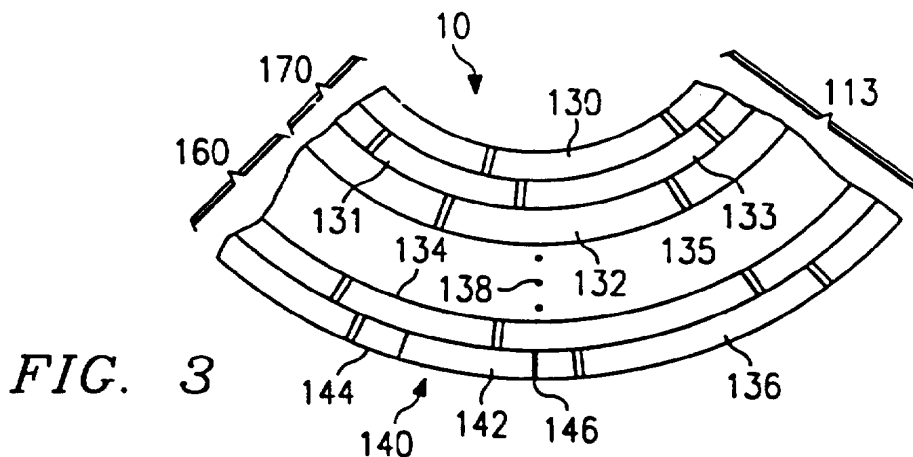
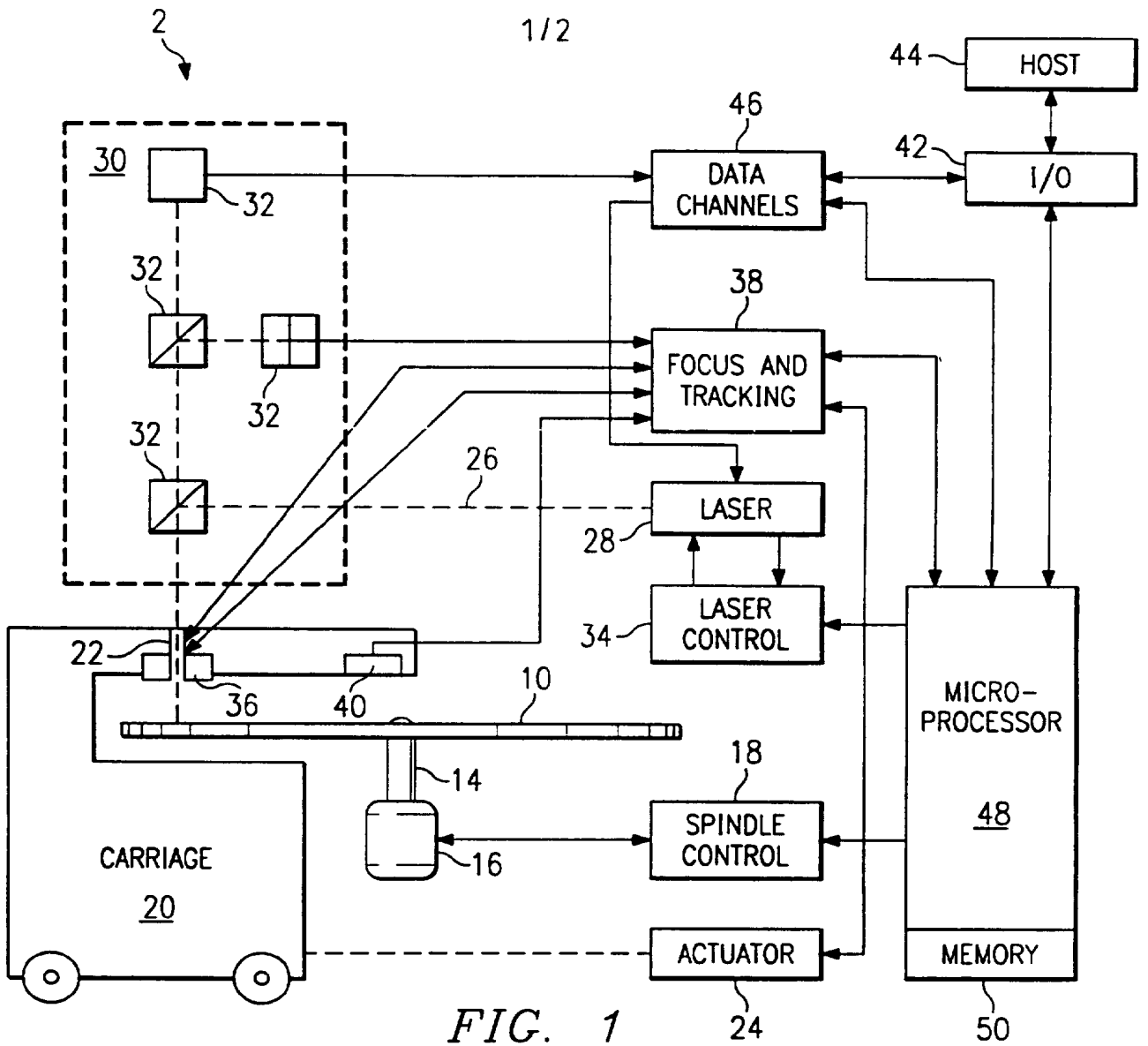
said means for directing the light beam onto the second predetermined sector in said reserved area comprises means for directing the light beam onto the second predetermined sector in a second end of said reserved area, opposite the first end.

18. A data recording system as claimed in Claim 16, wherein said means for recording the first data in the predetermined data sector comprises means for recording an address of the predetermined data sector in a first word of the predetermined sector, recording an beginning address of said reserved area in a second word of the predetermined data sector and recording a laser write-power level in a third word of the predetermined data sector.

19. A data recording system as claimed in Claim 16, further comprising:

means for receiving an input from a user indicating the second plurality of sectors to be allocated to said reserved area of each band; and

means for determining a beginning address and an ending address of each reserved area of each band.



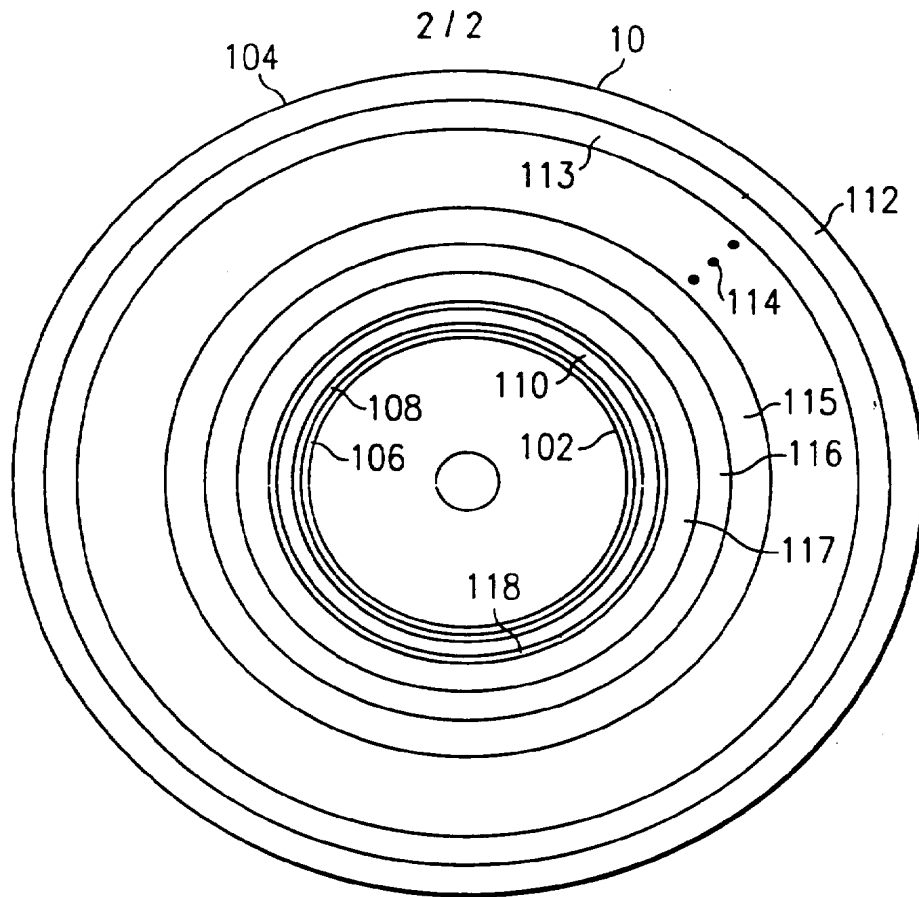


FIG. 2

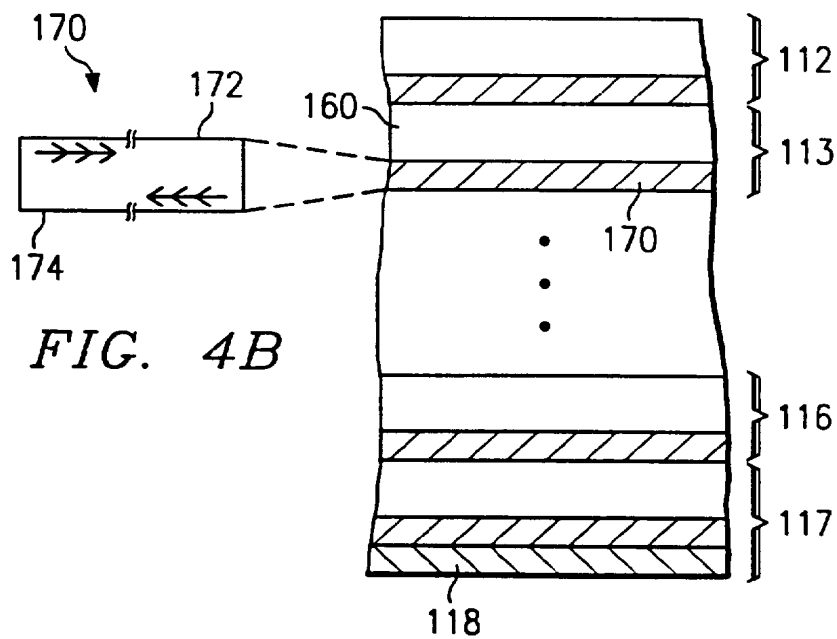


FIG. 4B

FIG. 4A

INTERNATIONAL SEARCH REPORT

International Application No
PCT/GB 95/02858

A. CLASSIFICATION OF SUBJECT MATTER
IPC 6 G11B7/00 G11B7/125 G11B7/007 G11B7/013 G11B20/12

According to International Patent Classification (IPC) or to both national classification and IPC

B. FIELDS SEARCHED

Minimum documentation searched (classification system followed by classification symbols)
IPC 6 G11B

Documentation searched other than minimum documentation to the extent that such documents are included in the fields searched

Electronic data base consulted during the international search (name of data base and, where practical, search terms used)

C. DOCUMENTS CONSIDERED TO BE RELEVANT

Category *	Citation of document, with indication, where appropriate, of the relevant passages	Relevant to claim No.
A	EP-A-0 442 566 (PHILIPS NV) 21 August 1991 see column 1, line 1 - line 22 see column 4, line 10 - line 16 see column 6, line 38 - line 48 see column 8, line 39 - line 49 see column 13, line 49 - column 14, line 12 see column 14, line 42 - column 15, line 32	1-19
A	--- EP-A-0 577 214 (PHILIPS ELECTRONICS NV ;IBM (US)) 5 January 1994 see page 3, line 45 - line 55; figure 1 see page 4, line 37 - line 40; figure 2 see page 5, line 52 - line 54	1,8,16
A	--- EP-A-0 555 065 (IBM) 11 August 1993 see page 18, line 45 - line 47 --- -/--	1,8,16

Further documents are listed in the continuation of box C.

Patent family members are listed in annex.

* Special categories of cited documents :

- 'A' document defining the general state of the art which is not considered to be of particular relevance
- 'E' earlier document but published on or after the international filing date
- 'L' document which may throw doubts on priority claim(s) or which is cited to establish the publication date of another citation or other special reason (as specified)
- 'O' document referring to an oral disclosure, use, exhibition or other means
- 'P' document published prior to the international filing date but later than the priority date claimed

- 'T' later document published after the international filing date or priority date and not in conflict with the application but cited to understand the principle or theory underlying the invention
- 'X' document of particular relevance; the claimed invention cannot be considered novel or cannot be considered to involve an inventive step when the document is taken alone
- 'Y' document of particular relevance; the claimed invention cannot be considered to involve an inventive step when the document is combined with one or more other such documents, such combination being obvious to a person skilled in the art.
- '&' document member of the same patent family

Date of the actual completion of the international search

12 February 1996

Date of mailing of the international search report

- 2. 04. 96

Name and mailing address of the ISA

European Patent Office, P.B. 5818 Patentlaan 2
NL - 2280 HV Rijswijk
Tel. (+ 31-70) 340-2040, Tx. 31 651 epo nl,
Facx (+ 31-70) 340-3016

Authorized officer

Poth, H

INTERNATIONAL SEARCH REPORT

International Application No
PCT/GB 95/02858

C.(Continuation) DOCUMENTS CONSIDERED TO BE RELEVANT		
Category *	Citation of document, with indication, where appropriate, of the relevant passages	Relevant to claim No.
A	EP-A-0 404 251 (PHILIPS NV) 27 December 1990 see the whole document ---	1-19
A	EP-A-0 404 249 (PHILIPS NV) 27 December 1990 see the whole document ---	1-19
X,P	WO-A-95 22142 (PHILIPS ELECTRONICS NV ;PHILIPS NORDEN AB (SE)) 17 August 1995 see claims -----	1,8,16

INTERNATIONAL SEARCH REPORT

Information on patent family members

International Application No

PCT/GB 95/02858

Patent document cited in search report	Publication date	Patent family member(s)	Publication date
EP-A-0442566	21-08-91	NL-A- 9000327	02-09-91
		DE-D- 69115304	25-01-96
		JP-A- 4214208	05-08-92
		US-A- 5072435	10-12-91

EP-A-0577214	05-01-94	CN-A- 1083252	02-03-94
		JP-A- 6223503	12-08-94
		US-A- 5418773	23-05-95

EP-A-0555065	11-08-93	US-A- 5293565	08-03-94
		AU-B- 664061	02-11-95
		AU-B- 3100493	05-08-93
		CA-A- 2081179	05-08-93
		CN-A- 1075230	11-08-93
		JP-A- 6084287	25-03-94
		NZ-A- 245391	21-12-95

EP-A-0404251	27-12-90	AT-T- 114855	15-12-94
		AT-T- 114856	15-12-94
		CN-A,B 1048279	02-01-91
		CN-A,B 1048945	30-01-91
		DE-D- 69014435	12-01-95
		DE-T- 69014435	01-06-95
		DE-D- 69014436	12-01-95
		DE-T- 69014436	14-06-95
		EP-A- 0404249	27-12-90
		HU-B- 208877	28-01-94
		HU-B- 210013	30-01-95
		JP-A- 3102679	30-04-91
		JP-A- 3034127	14-02-91
		NL-A- 9000328	16-01-91
		PL-B- 165214	30-11-94
		SU-A- 1796076	15-02-93
		US-A- 5226027	06-07-93
US-A- 5303217	12-04-94		

EP-A-0404249	27-12-90	NL-A- 9000328	16-01-91
		AT-T- 114855	15-12-94
		AT-T- 114856	15-12-94
		CN-A,B 1048279	02-01-91

INTERNATIONAL SEARCH REPORT

Information on patent family members

International Application No

PCT/GB 95/02858

Patent document cited in search report	Publication date	Patent family member(s)	Publication date
EP-A-0404249		CN-A, B 1048945	30-01-91
		DE-D- 69014435	12-01-95
		DE-T- 69014435	01-06-95
		DE-D- 69014436	12-01-95
		DE-T- 69014436	14-06-95
		EP-A- 0404251	27-12-90
		HU-B- 208877	28-01-94
		HU-B- 210013	30-01-95
		JP-A- 3102679	30-04-91
		JP-A- 3034127	14-02-91
		PL-B- 165214	30-11-94
		SU-A- 1796076	15-02-93
		US-A- 5226027	06-07-93
		US-A- 5303217	12-04-94
WO-A-9522142	17-08-95	NONE	